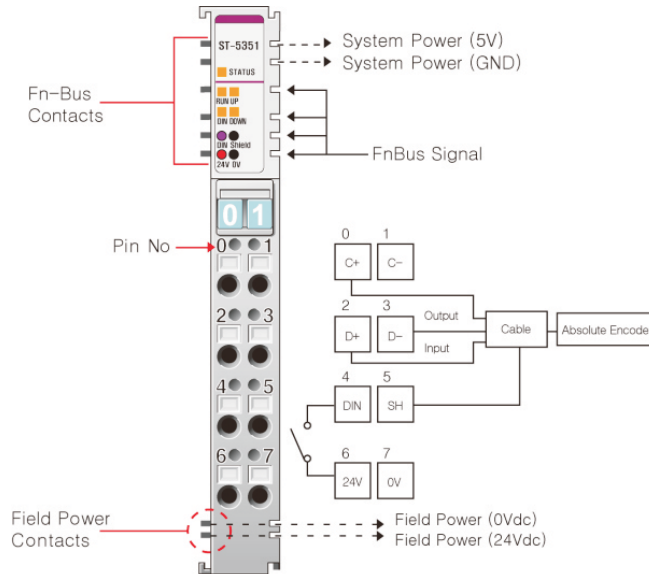


SSI Interface, 1 Channel



Item	ST-5351
Module Specification	
Number of Channel	1 Ch SSI Interface
Indicators	1 Green / Red Fn-Bus Status 4 LEDs : RUN / WARN, UP DIN, DOWN
SSI Data Rate	62.5K, 100K, 125K, 250K, 500K, 1M, 2Mbps
SSI Data Width	Max. 30 bit
SSI Data Delay Time	20 usec ~ 10 msec
SSI Output	C+, C- RS422 Differential Output
SSI Input	D+, D- RS422 Differential Input
SSI Data Code Type	Gray Code or Natural Binary
Digital Input	24 Vdc Input nominal, Sink Type Voltage Range : 11 ~ 28.8Vdc
Diagnostic	Field Power, SSI Frame
Common Type	1 Common, 1 Shield
General Specification	
Power Dissipation	Max. 150mA @5.0Vdc
Isolation	I/O to Logic : Photocoupler Isolation I/O to Field Power : Non-Isolation
Field Power	Supply Voltage : 24Vdc nominal Voltage Range : 11 ~ 28.8 Vdc Power Dissipation : Max. 40mA @ 24Vdc
Wiring	I/O Cable Max. 2.0mm ² (AWG#14)
Weight	70g
Module Size	12mm x 99mm x 70mm
Environment Condition	Refer to "Environment Specification"(page : 1-191)
Pin No.	Description
0	C + (RS422 Differential Output)
1	C - (RS422 Differential Output)
2	D + (RS422 Differential Input)
3	D - (RS422 Differential Input)
4	DIN (Digital Input, Sink Type)
5	Shield
6	Field Power 24V
7	Field Power 0V, Common
-	-
-	-
-	-
-	-
-	-
-	-
-	-